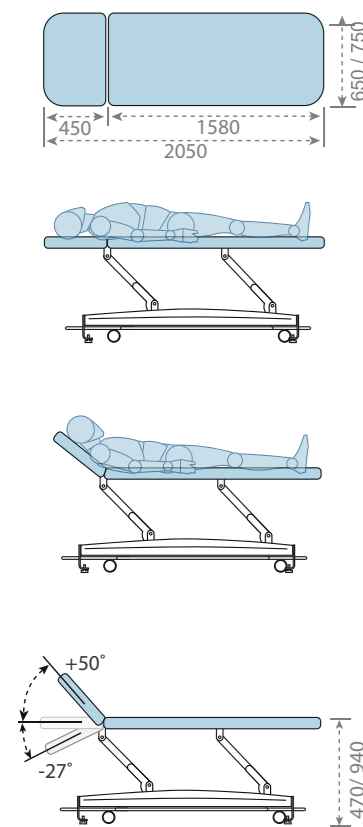
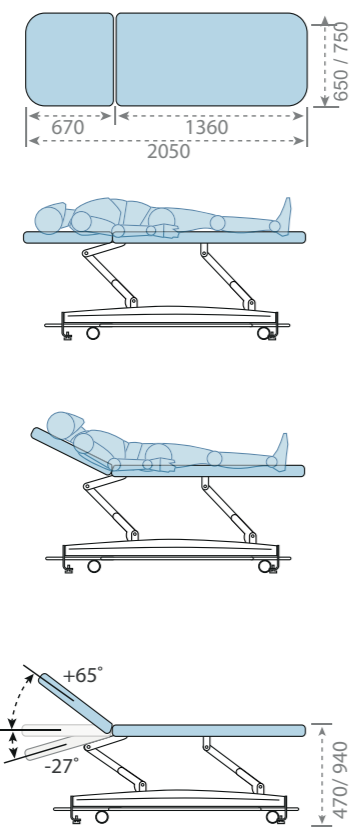


Technical data

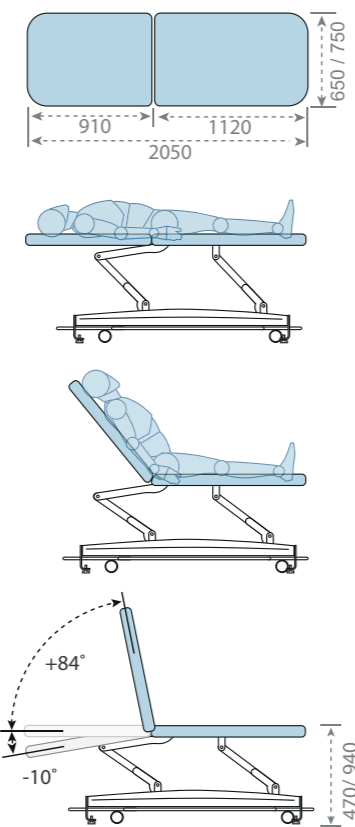
Model: **ETS-H/E-65/75**



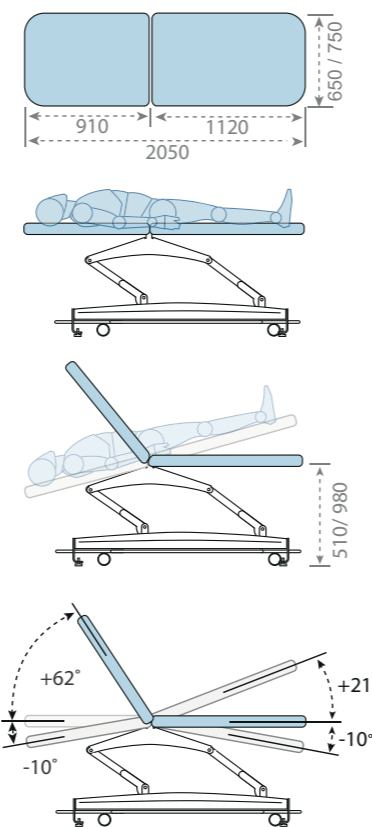
Model: **ETSL-H/E-65/75**



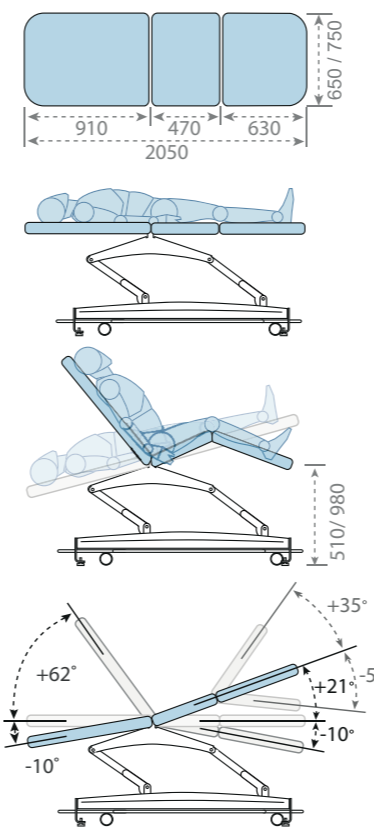
Model: **ETSXL-H/E-65/75**



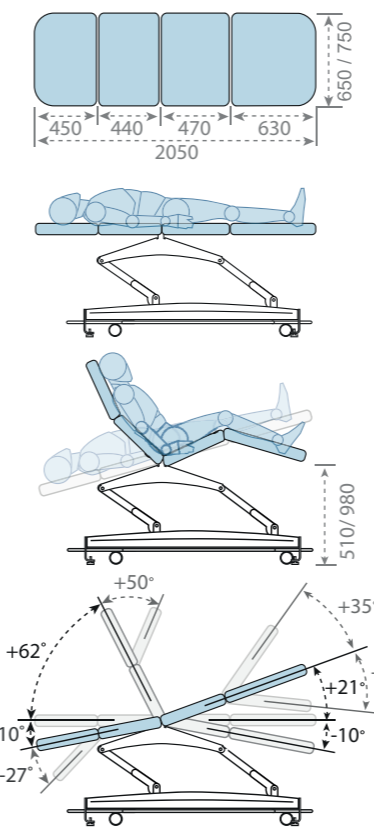
Model: **ETSXLP-65/75**



Model: **ETS3-65/75**



Model: **ETS4-65/75**



medical examinations



Equipment and accessories

standard ● optional ○

	ETS-H	ETS-E	ETSL-H	ETSL-E	ETSXL-H	ETSXL-E	ETSXLP	ETS3	ETS4
seamless sealed upholstery (6 cm) – SER-SU6-S	●	●	●	●	●	●	●	●	●
seamless sealed upholstery (8 cm) – SU8-S	○	○	○	○	○	○	○	○	○
ultrasound opening with plug (32x24 cm) – OUZ-S	○	○	○	○	○	○	○	○	○
paper roll holder under head section – NZP1-S, NZP1-SL	○	○	○	○	○	○	○	○	○
fixation rails – LE-S	○	○	○	○	○	○	○	○	○
infusion stand mounted on fixation rail – SIF-S	○	○	○	○	○	○	○	○	○
armrest mounted on fixation rail – NZR	○	○	○	○	○	○	○	○	○
elevated armrest mounted on fixation rail – NZR1	○	○	○	○	○	○	○	○	○
laminite side table (51x36 cm) mounted on fixation rail – MOL	○	○	○	○	○	○	○	○	○
PVC cover for leg section – PVC6-S, PVC8-S	○	○	○	○	○	○	○	○	○
retractable castors with soft release (Ø 75 mm) – SER-RC-S	●	●	●	●	●	●	●	●	●
antistatic retractable castors with soft release (Ø 75 mm, 4 pcs) – ARCS	○	○	○	○	○	○	○	○	○
individually lockable antistatic castors (Ø 125 mm, 4 pcs) – AVK-S	○	○	○	○	○	○	○	○	○
hand switch – RS1-S, RS3-S	/	○	/	○	/	○	●	●	●
circular switch	/	○	/	○	/	○	●	●	●
safety switch – EVV-S	/	○	/	○	/	○	○	○	○
battery backup – BB-S	/	○	/	○	/	○	○	○	○
plug connector for potential equalization – PPEQ	/	○	/	○	/	○	○	○	○
standard weight capacity 250 kg	●	●	●	●	●	●	●	●	●



Bring treatment to a higher level!

Novak M d.o.o.

Pod smrekami 5
SI - 1218 Komenda

E: info@novak-m.si
T: +386 1 5620117
F: +386 1 5620118

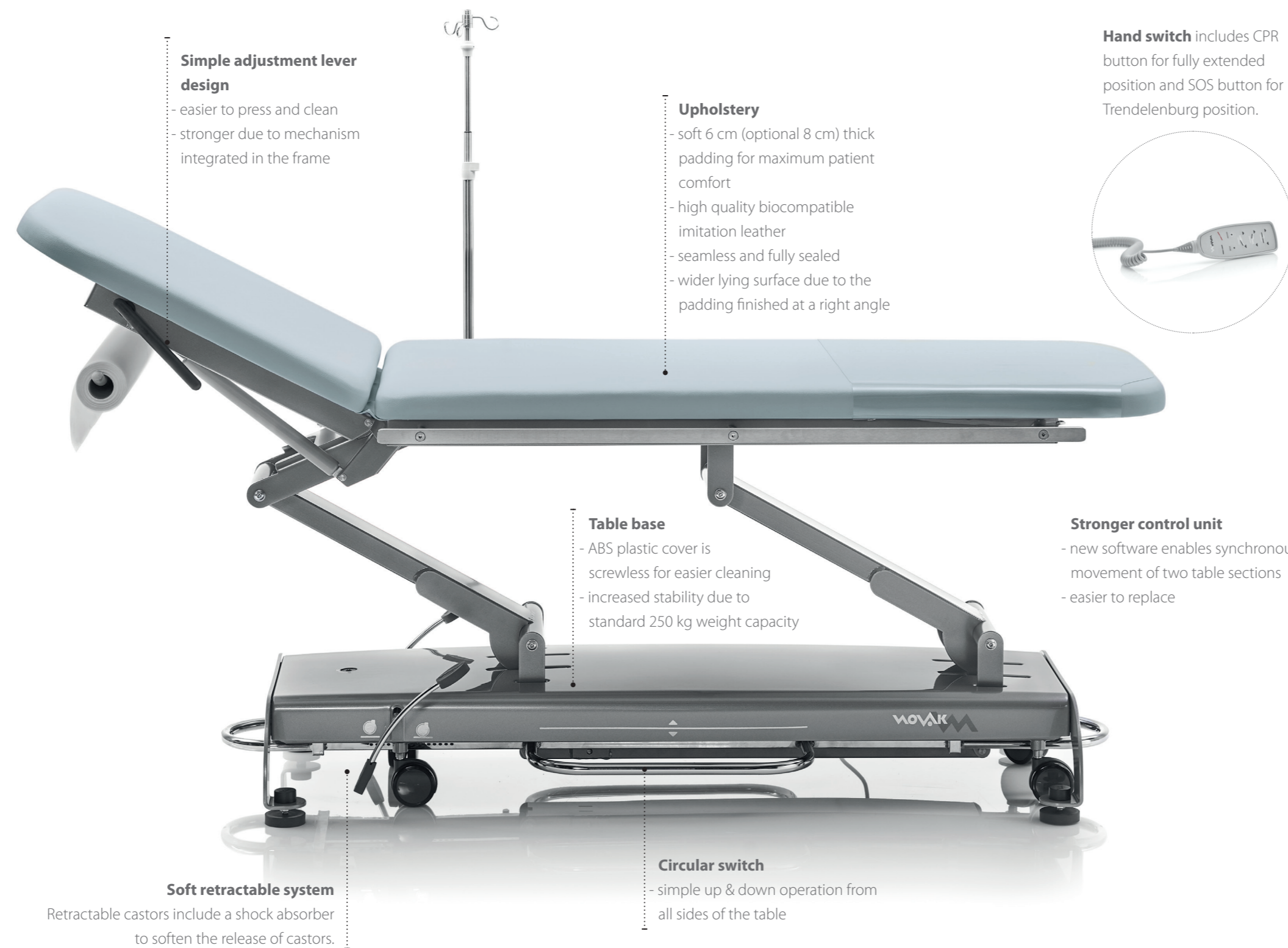
www.novak-m.com



reddot winner 2020

EXAMINATION TABLES S

SIMPLICITY on one hand and **RICHNESS** on the other are the two distinguishable features of the **renewed S-line design**. **Upgraded functionality** and **continuation of awarded design** make the examination tables the perfect support for **any medical examination**. It is of utmost importance for the medical personnel to adjust the patient position **easily** and **quickly**, to meet the **high hygiene standards** and ensure **perfect patient comfort**.



Simple adjustment lever design

- easier to press and clean
- stronger due to mechanism integrated in the frame

Upholstery

- soft 6 cm (optional 8 cm) thick padding for maximum patient comfort
- high quality biocompatible imitation leather
- seamless and fully sealed
- wider lying surface due to the padding finished at a right angle

Hand switch includes CPR button for fully extended position and SOS button for Trendelenburg position.



Table base

- ABS plastic cover is screwless for easier cleaning
- increased stability due to standard 250 kg weight capacity

Stronger control unit

- new software enables synchronous movement of two table sections
- easier to replace

Soft retractable system

Retractable castors include a shock absorber to soften the release of castors.

Circular switch

- simple up & down operation from all sides of the table

High hygiene standards and maintenance

To ease the maintaining of **high hygiene standards** required in medical practices, the **SEAMLESS UPHOLSTERY** is **water** and **other liquid resistant** and **FULLY SEALED** also from the under side. It is made of high quality **BIOCOMPATIBLE** imitation leather.

The **ABS PLASTIC COVER** that protects the table base is **SCREWLESS** and thus **completely smooth**. The **design** of head and leg section **ADJUSTMENT LEVER** is **simplified**. The lever is **longer, easier to press** and **clean** and the mechanism **integrated** in the frame makes it even stronger.

Position your patient safely and with ease

Lowering and **raising** electric tables by the new **CIRCULAR SWITCH** is as simple as it can be. From any side of the table, one can adjust height by **pressing** the switch **down** or pushing it **up** completely effortless. The table allows for **patients' easy access** as well as **comfortable working height** for the personnel.

During examinations, the **table stands firmly** on thoughtfully designed **RUBBER FEET**. When activating the **RETRACTABLE CASTORS**, the **shock absorber softens the release** and the table can be effortlessly moved across the room.

The STRONGER CONTROL UNIT with a new software enables **synchronous movement** of two **table sections**, which speeds up patient positioning. The standard **WEIGHT CAPACITY** is **250 kg**, which adds to table's **PERFECT STABILITY**. The **positioning** of **overweight patients** in particular is safer and easier.

The **HAND SWITCH**, standard with **examination tables SXL Plus, S3 and S4**, includes the **CPR** and **SOS buttons**. In case of emergency, the **completely flat** or the **Trendelenburg position** will set within seconds by pressing a single button.

For general and specialized examinations

DIFFERENT MODELS of examination tables **meet the needs** of medical personnel and patients during **general** and **specialized examinations** and **treatments**. You can choose among two-, three- or four-section tables **allowing different patient positions**. Examinations are performed easier and more efficiently if the patient is positioned appropriately. Additionally, you can choose from a **VARIETY OF ACCESSORIES** that are attached to fixation rails to be right at hand during examinations.

The 6 or 8 cm thick **padding** offers **UNPARALLELED COMFORT** for the patient when lying throughout an examination. The **lying surface** is **wider** due to the **padding finished at a right angle**.