

Color chart

color chart 1 [atn-07, 08]

	2795 lemon	605 snow	614 sunflower	4861 pumpkin	1280 porcelain	4635 retro		3105 velvet	806 hazelnut
4633 apricot		4634 lavanda	2395 blue moon	1277 rain drops		1173 valentine		2798 deep sea	4103 fuchsia
2389 aquamarine	4035 mermaid		2797 mint	1274 esmerald			2799 universe		
2793 chocolate	2390 mocca		3120 silvery	1049 antracit	1661 classy		4868 pistachio	2394 willow	2794 picnic
							1208 antistatic		
		10120		20279	07432		20288	10295	

color chart 2 [ferrari-stamskin® top]



Gynaecology, urology and
proctology



Bring treatment to a higher level!

Novak M d.o.o.

Pod smrekami 5
SI - 1218 Komenda

E: info@novak-m.si
T: +386 1 5620117

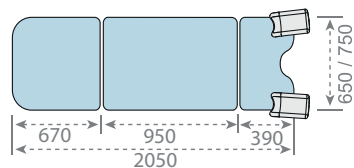
www.novak-m.com

DERMAT
MEDICAL SUPPLIES

016/ 40 05 45
info@dermat.be
www.dermat.be



reddot winner 2020

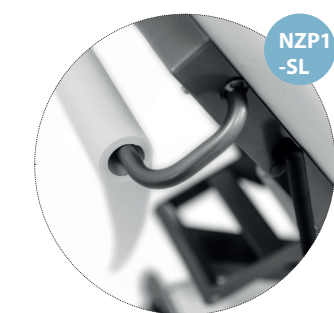


GYNECOLOGICAL EXAMINATION TABLE S

Model: **ETSG-65/75**



NZN1



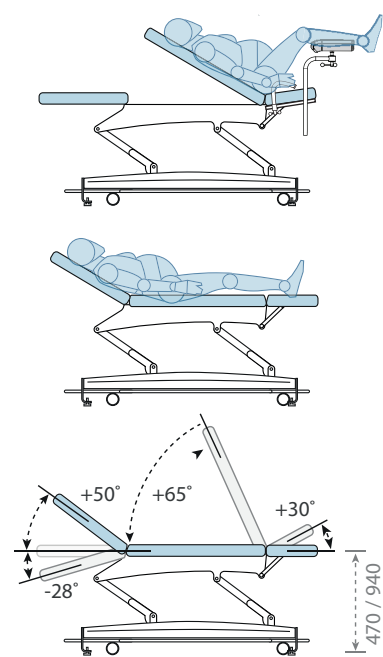
NZP1-SL



PVC-SG



UROH-SG



POSITIONS

Equipment and accessories

weight capacity	250 kg
seamless sealed upholstery (6 cm) – SER-SU6-S	●
seamless sealed upholstery (8 cm) – SU8-S	○
breathing hole with welded and taped seams (plug included) – OOC-SG	○
Göpel leg support, mounted on fixation rail (pair) – SER-NZN	●
leg support - stirrup (pair) – NZN1	○
paper roll holder – NZP1-SL	○
support handles	●
retractable castors with soft release (Ø 75 mm) – SER-RC-S	●
antistatic retractable castors with soft release (Ø 75 mm) – ARC-S	○
circular switch	●
hand switch	●
urology holder – UROH-SG	○
PVC cover for seat section – PVC6/8-SG	○
Safety switch – EVV-S	○
plug connector for potential equalization – PPEQ	○
battery backup – BB-S	○

standard ● optional ○