



medifa 8000

Mobile Imaging
Operating Table



we care.

medifa 8000

- Continuously radiolucent table top made of high quality carbon
- Integrated guide rails at both sides made of carbon
- Integrated guide rails at head- and foot-end made of carbon
- Perfect partner in hybrid operating rooms
- Up to 1,300 mm with unrestricted 360° imaging
- Horizontal and vertical sliding of table top
- Simple manoeuvrability
- Optimal cleaning and disinfection conditions
- Excellent foot access by special base construction
- User-friendly control concept
- Wide range of radiolucent accessories
- Maximum permissible overall load of 250 kg





Configuration example

Art.-no. 800200
Mobile imaging operating table

Art.-no. 81220_1
Arm rest

Price on request!

Mobile imaging operating table

Art.-no. 800200

- Continuously radiolucent table top made of carbon
- Table top with side rails made of carbon for attachment of accessories
- Additional side rails made of carbon at head and foot end
- Control panel with colour display and joystick for electric adjustments
- Additional control unit for electric adjustments at column
- Longitudinal sliding of table top up to 300 mm
- Vertical sliding of table top up to 180 mm
- Height adjustment from 750 up to 1,110 mm
- Trendelenburg adjustment from -25° up to +25°
- Lateral tilt from -20° up to +20°
- Three user programmable position presets (Memory Function)
- Mobility by means of two double swivel castors Ø 125 mm and four fixed castors Ø 80 mm with central brake
- Upholstery (H = 20 mm), radiolucent, electrically conductive and detachable
- Integrated batteries and battery charger
- Indicator of current charge of batteries at control panel
- Power supply 110V or 220V / 50-60 Hz
- Maximum permissible overall load: 250 kg
- Dimensions of lying surface (L x W): 2,335 x 540 mm
- Weight of the table: 250 kg



- Slim column and flat base enable optimal positioning of c-arm
- Integrated carbon guide rails for attachment of accessories for various medical disciplines (for example skull clamp, art.-no. 811069)

Specialities

- Cardiovascular surgery
- Vascular surgery
- Neurosurgery and spinal surgery
- ERCP
- Pain therapy

Control Concept



- Activation of control panel
- Activation of up to three user-defined operating positions
- Saving of up to three user-defined operating positions
- Button for changing direction of joystick
- Joystick for horizontal and vertical sliding of table top
- Reverse-Mode
- Positioning keys
- Leveling
- Colour display with battery indicator

Options

1. Standard: Backlit control panel with joystick, colour display and battery indicator
2. Standard: Additional backlit control unit at column
3. Optional: Backlit wireless infrared hand switch with colour display and battery indicator (art.-no. 804070, not retrofittable)
4. Optional: Foot switch for height, lateral and Trendelenburg adjustment (optional, art.-no. 804060)



Functionality and Comfort



By the combination of imaging and operating table the medifa 8000 is your ideal partner in hybrid operating rooms in order to organise work flows faster, easier and consequently more efficient.



Continuous radiolucency with a length up to 1,530 mm (1,300 mm with unrestricted 360° imaging).

Models



	Range	800200
Height adjustment	750 - 1,110 mm	●
Trendelenburg	-25° / +25°	●
Lateral tilt	-20° / +20°	●
Horizontal sliding of table top	up to 300 mm	●
Vertical sliding of table top	up to 180 mm	●
Mobility		■
Central brake		■
Memory (3 Positions)		●
Maximum permissible overall load		250 kg

● Electrohydraulic ■ Manual

Positioning Examples



Positioning for cardiovascular surgery with head ring



Positioning for vascular surgery with head ring in reverse position



Positioning for cervical spine interventions with horseshoe shaped head rest system and arm rest

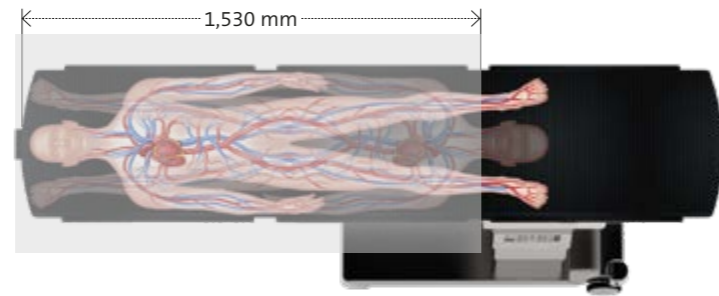


Positioning for neurosurgery with skull clamp system and arm rest

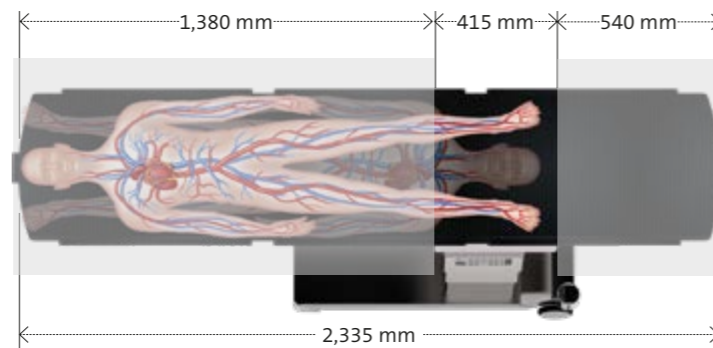
Technical Information

- Continuous radiolucency with a length up to 1,530 mm (1,300 mm with unrestricted 360° imaging)
- Up to 1,850 mm continuous radiolucency (1,600 mm with unrestricted 360° imaging) when attaching optional radiolucent headrest system (art.-no 811076 or 811078)
- Lying surface with a length of 2,335 mm fits to every patient size
- Lying surface is extendible up to 640 mm by using optional radiolucent width extensions (art.-no. 81355)

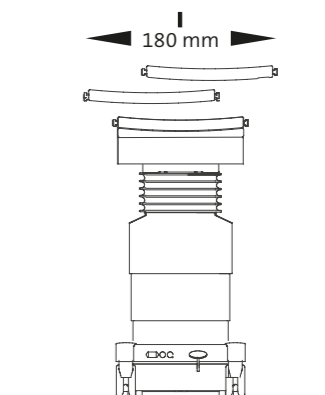
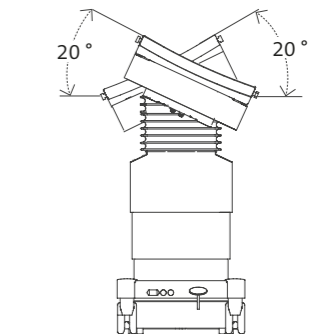
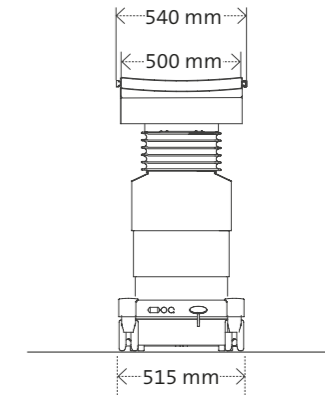
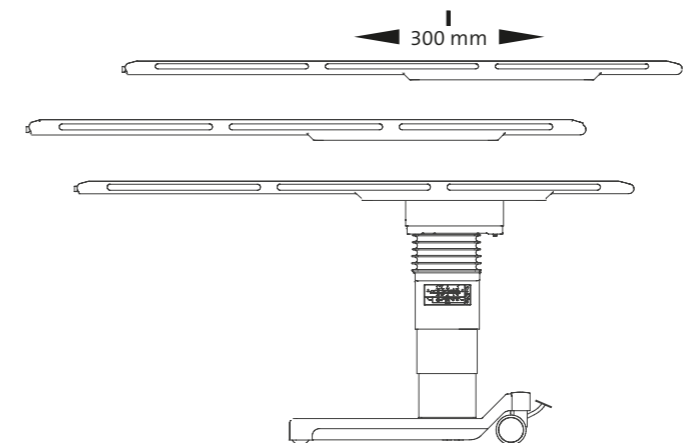
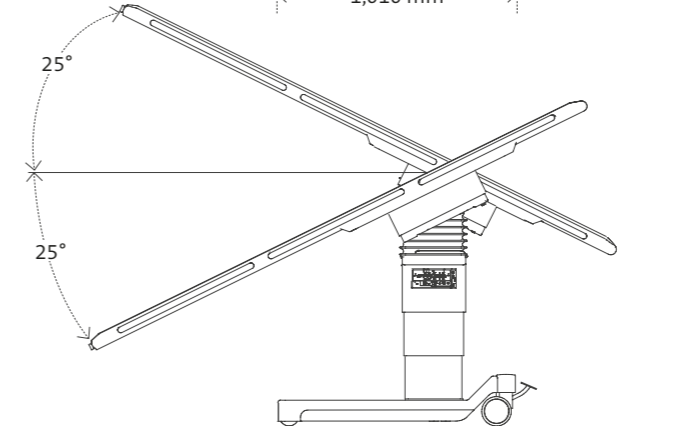
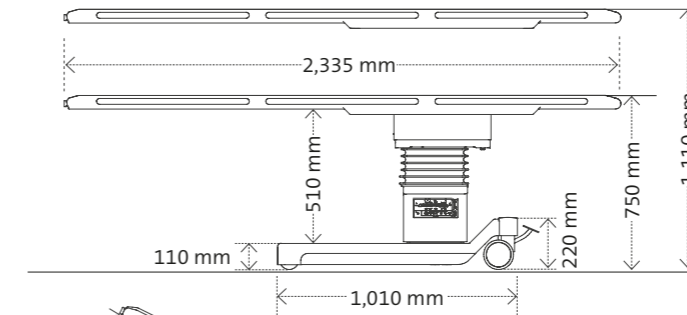
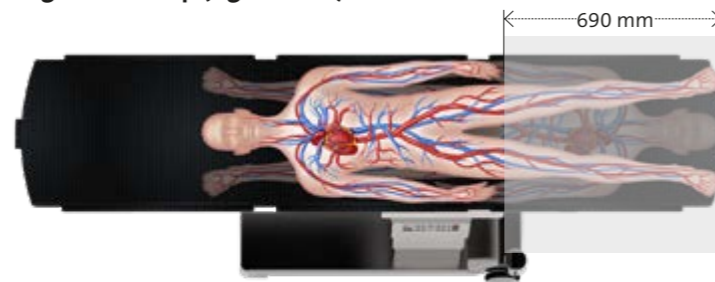
Horizontal sliding of table top (left-sided)



Basic position



Horizontal sliding of table top (right-sided)





Foot switch for medifa 8000

Art.-no. 804060

- Additional control unit for the main functions height, lateral and Trendelenburg movement
- Tethered



Infrared remote control for medifa 8000

Art.-no. 804070

- Incl. charging station
- Wireless data transfer
- Control panel for all electric functions



Hand switch support

Art.-no. 61575

- To place hand switch at lateral or head-end side rail
- Tilttable
- Material: Stainless steel



Clamp

Art.-no. 81511

- For fixation of accessories with round rod ($\varnothing = 16-18$ mm)
- Rotatable



Anaesthesia screen for medifa 8000

Art.-no. 81750

- Incl. clamp, without arm restraint cuff
- Extendible to both sides



Arm restraint cuff

Art.-no. 61755

- For attachment at anaesthesia screen
- Suitable for: 61750, 81750



Flexible anaesthesia screen for medifa 8000

Art.-no. 81751

- Incl. clamp
- Bendable, individually adjustable
- Length: 2,000 mm



Infusion holder for medifa 8000

Art.-no. 81815

- Incl. clamp
- Extendible
- Four hooks



Body or leg strap for medifa 8000

Art.-no. 81405

- Steplessly adjustable
- With velcro strap



Hand cuffs for medifa 8000

Art.-no. 81406

- Incl. clamp
- For fixation of hands or arms
- Pair



Joint arm with horseshoe headrest for medifa 8000

Art.-no. 81110

- Flexible positioning of headrest by means of three joints
- Fast positioning and fixation of horseshoe shaped headrest by means of central screw
- For positioning of head in prone or supine position
- Oval form with cut-out
- Upholstery: PUR, electrically conductive



Horseshoe headrest for adults (DORO)

Art.-no. 811076

- Incl. detachable gel pads and fixation
- For positioning head in prone or supine position
- Radiolucent
- Composed of: 561060 - Adaptor for accessories, 561061 - Connecting piece short, 561062 - Connecting piece long, 561067 - Swivel adaptor, 561077 - Horseshoe headrest (adults)



Horseshoe headrest for children (DORO)

Art.-no. 811078

- Incl. detachable gel pads and fixation
- For positioning head in prone or supine position
- Radiolucent
- Composed of: 561060 - Adaptor for accessories, 561061 - Connecting piece short, 561062 - Connecting piece long, 561067 - Swivel adaptor, 561079 - Horseshoe headrest (children)



Skull clamp (DORO)

Art.-no. 811069

- Incl. fixation
- For fixation of head during neurosurgical procedures
- Radiolucent
- Composed of: 561060 - Adaptor for accessories, 561061 - Connecting piece short, 561062 - Connecting piece long, 561067 - Swivel adaptor, 561068 - Skull clamp
- Skull pins 811073 or 811074 have to be ordered separately



Skull pins adults (DORO)

Art.-no. 811073

- Reusable, three pieces, made of titan
- Attachment at 811069

Skull pins children (DORO)

Art.-no. 811074

- Reusable, three pieces, made of titan
- Attachment at 811069



Bow frame

Art.-no. 81900

- Incl. hand crank
- Radiolucent
- Unlimited access to C-arms
- Patient supports are adjustable to fit different patient sizes
- Maximum patient weight: 227 kg



Radiolucent arm rest

Art.-no. 81220_1

- Swivelling
- Radiolucent
- L x W: 650 x 140 mm
- Upholstery: Artificial leather covered foam, H = 20 mm, electrically conductive
- Also available with upholstery H = 40 mm (Art.-no. 81220_2) and H = 60 mm (Art.-no. 81220_3)



Arm rest with joint arm for medifa 8000

Art.-no. 81217

- Incl. clamp and fixture straps
- Three joints enable flexible positioning of patient's arm
- Fast positioning and fixation by means of central screw
- Upholstery: Viscoelastic foam, L x W x H: 400 x 115 x 80 mm, electrically conductive, detachable



Arm rest with ball joint for medifa 8000

Art.-no. 81211

- Incl. clamp and fixture straps
- Rotatable and tiltable by means of ball joint
- Adjustable in height and horizontally slidable
- Upholstery: Viscoelastic foam, L x W x H: 400 x 115 x 80 mm, electrically conductive, detachable



Arm shield for medifa 8000

Art.-no. 81345

- Incl. upholstery
- L x H: 410 x 180 mm



Arm and hand surgical table

Art.-no. 81230

- Incl. clamp, upholstery and supporting leg
- Table top made of carbon
- Radiolucent
- Adjustable in height
- L x W: 815 x 430 mm
- Upholstery: Soft Foam Core, H: 30 mm, electrically conductive



Side support / arm rest

Art.-no. 81092

- For stabilisation of patient or positioning of arm
- Hinged in three steps (upwards, horizontally, downwards)
- L x H: 600 x 140 / 235 mm
- Upholstery made of artificial leathery covered foam, H= 20 mm has to be ordered separately (art.-no. 56031)



Adaptor for side rails

Art.-no. 81560

- Incl. clamp
- For attachment of external accessories
- L: 200 mm



Holder of body supports for medifa 8000

Art.-no. 81361

- For attachment of body supports
- Adjustable in height, extendible and swivelling (360°)
- Positioning of body supports by means of ball joint



Body support for pubis, sacrum and sternum

Art.-no. 61361_1

- Upholstery: PUR, Ø: 100 mm, electrically conductive
- Suitable for: 61361, 61365 and 81361
- Material: Stainless steel



Body support for side and shoulder

Art.-no. 61361_2

- To support side and shoulder
- Upholstery: PUR, L x W: each 220 x 110 mm, electrically conductive
- Suitable for: 61361, 61365 and 81361
- Material: Stainless steel



Body support for back and buttocks

Art.-no. 61361_3

- Upholstery: PUR, L x W: each 220 x 110 mm, electrically conductive
- Suitable for: 61361, 61365 and 81361
- Material: Stainless steel



Supporting roll

Art.-no. 61361_4

- For lateral positioning of patient
- Upholstery: PUR, L x Ø: 190 x 100 mm, electrically conductive
- Suitable for: 61361, 61365 and 81361
- Material: Stainless steel



Width extensions

Art.-no. 81355_1

- Radiolucent
- Integrated side rails
- L x W: 600 x 50 mm
- Upholstery: Artificial leather covered foam, H: 20 mm
- Also available with upholstery height 40 mm (Art.-no. 81355_2) and 60 mm (Art.-no. 81355_3)
- Pair



Radiation protection

Art.-no. 81040

- Incl. fixation
- Protects lower body from scattered radiation
- Three segments (each L x W: 750 x 290 mm)
- X-ray tube voltage range: 50 - 120 kV



Radiation protection with upper shield

Art.-no. 81045

- Incl. fixation
- Protects body from scattered radiation
- Lower shield consisting of three segments (each L x W: 750 x 290 mm)
- Upper shield consisting of four segments (each L x W: 270 x 180 mm)
- X-ray tube voltage range: 50 - 120 kV



Head support

Art.-no. 61147

- For positioning of patient in supine position
- Radiolucent
- L x W: 250 x 250 mm
- Material: PUR, electrically conductive



Spinal disc pad

Art.-no. 61900

- For positioning during surgeries at spinal disc
- Radiolucent
- L x W x H: 820 x 450 x 90 mm
- Material: Viscoelastic foam, electrically conductive



Head ring made of silicone gel for adults

Art.-no. 61115

- Height 45 mm, \varnothing (outer): 200 mm

Head ring made of silicone gel for children

Art.-no. 61115_2

- Height 35 mm, \varnothing (outer): 140 mm

Head ring made of silicone gel for infants

Art.-no. 61115_3

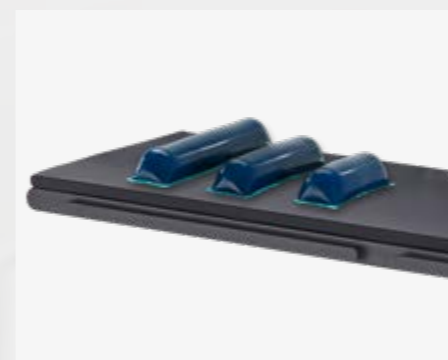
- Height 20 mm, \varnothing (outer): 90 mm



Head positioning pad for adults made of silicone gel

Art.-no. 61910

- For positioning of patient in prone position
- L x W x H: 280 x 240 x 150 mm



Small flat bottom chest roll made of silicone gel

Art.-no. 61920

- L x W x H: 305 x 100 x 75 mm

Medium flat bottom chest roll made of silicone gel

Art.-no. 61921

- L x W x H: 405 x 100 x 75 mm

Large flat bottom chest roll made of silicone gel

Art.-no. 61922

- L x W x H: 510 x 100 x 75 mm

Accessories



Heel pads made of silicone gel

Art.-no. 61940

- For positioning patient in supine position
- L x W x H: 190 x 100 x 70 mm
- Pair



Upholstery for lying surface for medifa 8000

Art.-no. 800020

- Artificial leather covered foam, L x W x H: 2,340 x 540 mm x 20 mm, electrically conductive
- Also available with upholstery height 40 mm (Art.-no. 800040) and 60 mm (Art.-no. 800060)

medifa

The medifa healthcare group unites competence concerning operating rooms under one roof.

medifa is an owner-run and internationally active complete solution provider in the medical technology.

The product and service portfolio covers all operating room requirements from modular wall, door, ceiling and cabinet systems (RooSy® Room Systems) for the turnkey operating room, as well as mobile operating tables, operating table accessories and operating lights, right up to examination chairs and medical

furniture. In addition, one of the largest German OEM suppliers in the medical technology sector also belongs to medifa.

medifa GmbH & Co. KG (Finnentrop), medifa hygienic rooms GmbH (Ötigheim) and medifa metall und medizintechnik GmbH in Rastatt are all part of this group of companies. The medifa healthcare group employs approximately 350 employees at three locations within Germany. The planning, engineering and production

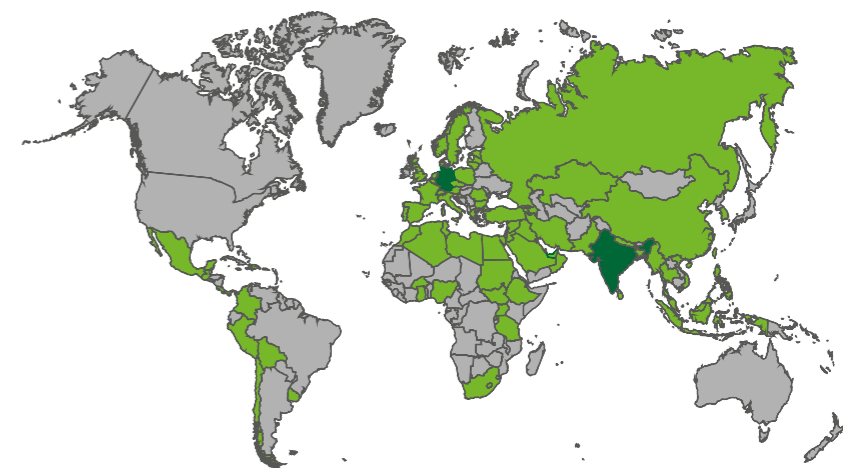
take place exclusively in Germany, and with over 80 % added value in the group of companies, the group guarantees fast reaction times.

The slogan “we care” means for us that we consistently orientate ourselves according to the requirements of our customers. Customers all over the world can rely on top-class consultation, processing and quality from a single source, made in Germany according to certified national and international quality standards.

Products

- Modular operating room systems (RooSy)
- Operating lights (H!Light)
- Mobile operating tables and accessories
- Examination and treatment chairs
- Medical furniture and trolleys
- Customized medical solutions

medifa partners worldwide



we care.



Version 02-21-EN

Subject to modifications due to technical development.
This document is intended to provide information to an
international audience outside of the US.

www.medifa.com

we care. Code



medifa GmbH & Co. KG

Industriestraße 5
57413 Finnentrop

Germany

fon +49 2721 71 77 -0

fax +49 2721 71 77 -255

info@medifa.com

we care.