



medifa 6000

Mobile
Operating Tables



we care.

Advantages at a glance

- Electro-hydraulic functions
- Optionally with or without electro-hydraulic leg rest adjustment
- Optionally with or without longitudinal sliding
- Additional manual back-up system independent from any power supply can be integrated
- Available with viscoelastic SF or PUR Upholstery
- All metal components made of high-quality stainless steel (1.4301)
- Optimal cleaning and disinfection conditions
- Simple manoeuvrability
- Smooth-running release mechanisms
- User-friendly control concept
- Suitable for various applications and patient positionings
- Suitable for x-ray and c-arm applications
- Wide range of accessories for all surgical disciplines
- Maximum permissible overall load of 454 kg



Functionality and ergonomics



Ergonomics

- Easy movement of operating table due to double swivel castors and fifth wheel
- Special base construction enables excellent foot access for the surgeon



Quick and easy handling

- Smooth running of release mechanisms



Manual back-up system

- Secures the functionality of operating table in case of electronic defect or breakdown of power supply
- Preselection of adjustments at column
- Adjustment via hydraulic foot pump
- Optional



Stabilization cylinder

- Extendable cylinder at socket ensure optimal stability of operating table
- Optional

Flexibility und comfort



One fixing system for all upholstery parts

- Fixing and removing of upholstery parts by means of pin system
- Particularly hygienic and easy to clean (no Velcro fastenings)
- Easy switching between SF and PUR upholstery

Comfort and hygiene

- Soft and hygienic upholstery prevents nosocomial infections and improves patient safety



SF-Upholstery

- Very soft pressure-relieving viscoelastic foam
- Decubitus prophylaxis
- Height: 80 mm
- Detachable
- Electrically conductive
- Radiolucent



PUR-Upholstery

- Ergonomically formed
- Height: 60 mm
- Detachable
- Electrically conductive
- Radiolucent

Control concept



Colour display with battery indicator

Navigation and acknowledgement keys

Reverse-Mode

Central brake

Positioning keys

Activation of hand switch

Stop-Key (except model 601920)

Automatic levelling

1. Standard: Backlit hand switch with integrated colour display and battery indicator (optional: wireless infrared remote control, art.-no. 604070, not retrofittable)

2. Standard: Additional control unit at column

3. Optional: Foot switch for height, lateral and Trendelenburg adjustment (art.-no. 604060)

4. Optional: Manual back-up system operated by foot pedal releases (art.-no. 50655, not retrofittable)



Models medifa 6000



Electro-hydraulic operating table

Art.-no. 601700

- Height adjustment from 690 to 1,050 mm
- Trendelenburg adjustment from -30° up to +30°
- Lateral tilt up to 20°
- Lower back rest adjustment from -40° up to +70°
- Upper back rest adjustment from -35° up to +50°
- Flex / Reflex position
- Automatic levelling
- Selection of patient orientation (reverse mode)
- Lateral guide rails for attachment of accessories, stainless steel, 25 x 10 mm
- Continuous X-ray tunnel from head end to foot end
- Mobility via 4 double swivel castors \varnothing 125 mm with central brake, electrically conductive and fifth castor
- Viscoelastic SF (H = 80 mm) or PUR upholstery (H = 60 mm), electrically conductive, detachable, radiolucent
- Maximum permissible overall load: 454 kg (1,000 lbs)



Further models:

Art.-no. 601820

Additionally with longitudinal sliding up to 300 mm

Art.-no. 601120

With back rest in one part (not divided), additionally with longitudinal sliding up to 300 mm



- Model 601120 can be equipped with an optional manual kidney bridge
- All models of medifa 6000 can be equipped with a wide range of further accessories

Configuration example

Art.-no. 601700
Electro-hydraulic operating table

Art.-no. 61144SF
Head rest

Art.-no. 61250SF
Upper back rest

Art.-no. 61615SF
Divided leg rest

Art.-no. 61217
Arm rest

Price on request!

Specialities

- General surgery
- Orthopaedics
- Gynaecology
- Urology
- ENT

Models medifa 6000



Electro-hydraulic operating table

Art.-no. 601920

- Height adjustment from 690 to 1,050 mm
- Trendelenburg adjustment from -30° up to +30°
- Electro-hydraulic leg rest adjustment from -90° up to +75° (single and parallel)
- Longitudinal sliding up to 300 mm
- Lateral tilt up to 20°
- Lower back rest adjustment from -40° up to +70°
- Flex / Reflex position
- Automatic levelling
- Selection of patient orientation (reverse mode)
- Lateral guide rails for attachment of accessories, stainless steel, 25 x 10 mm
- Continuous X-ray tunnel from head end to foot end
- Mobility via 4 double swivel castors \varnothing 125 mm with central brake, electrically conductive and fifth castor
- Viscoelastic SF upholstery (H = 80 mm), electrically conductive, detachable, radiolucent
- Maximum permissible overall load: 454 kg (1,000 lbs)



Electro-hydraulic leg rest adjustment

The operating table 601920 extends the 6000 series by a version with electro-hydraulic leg rest adjustment from -90° to +75°.

Movement of divided leg rest can be carried out individually or both at same time.



More ergonomic handling and advantages especially in the following surgeries:

- Shoulder surgery in reverse mode with electro-hydraulic adjustment of shoulder rest (more freedom, better C-arm access)
- Orthopaedic surgeries
- Gynaecological and urological surgeries (electro-hydraulic adjustment of leg rests)
- Knee arthroscopy

Configuration example

Art.-no. 601920
Electro-hydraulic operating table

Art.-no. 61144SF
Head rest

Art.-no. 61255SF
Upper back rest

Art.-no. 61616SF
Divided leg rest

Art.-no. 61217
Arm rest

Price on request!

Specialities

- General surgery
- Orthopaedics
- Shoulder surgery
- Knee arthroscopy
- Gynaecology
- Urology
- ENT

Models at a glance

Positioning examples



	Adjusting range	601120	601700	601820	601920
Height adjustment	690 - 1,050 mm	●	●	●	●
Trendelenburg	-30° / +30°	●	●	●	●
Lateral tilt	-20° / +20°	●	●	●	●
Back rest adjustment (lower back rest)	-40° / +70°	●	●	●	●
Back rest adjustment (upper back rest)	-35° / +50°	●	●	●	●
Leg rest adjustment (single and parallel)		■	■	■	●
Flexion		●	●	●	●
Longitudinal sliding	300 mm	●		●	●
Fifth castor		●	■	■	■
Automatic leveling		●	●	●	●
Central brake		●	●	●	●
Kidney bridge		◆■	●	●	
Manual back-up system		◆	◆	◆	◆
Stability cylinders at base		◆	◆	◆	◆
Maximum permissible overall load		454 kg	454 kg	454 kg	454 kg

● Electro-hydraulic ■ Manual ◆ Optional



General surgery in supine position



Thoracic surgery in lateral position



Bariatric surgery in standing position



Gynaecology, urology and proctology in lithotomy position

Positioning examples



Proctology and spine surgery in knee-elbow position



Spine surgery in prone position



Neuro surgery in beach chair position



Knee arthroscopy in supine position



ENT surgery in supine position



Neuro surgery in supine position

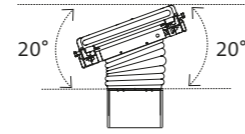
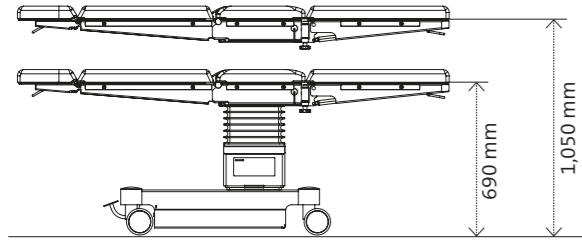


Orthopaedics in supine position with extension device

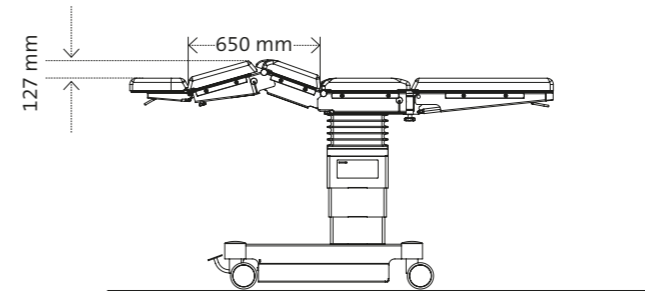


Orthopaedics in supine position with extension device

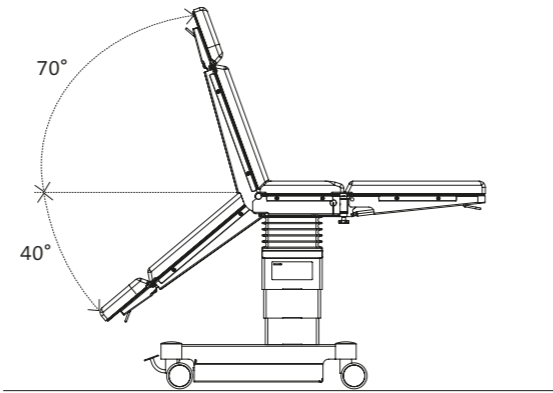
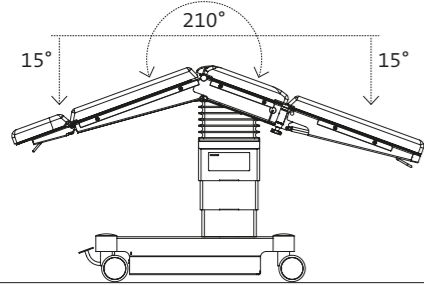
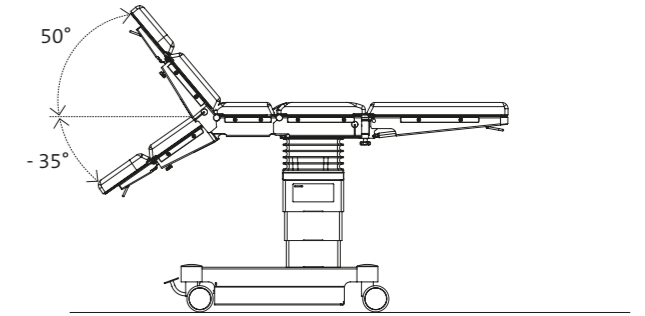
Technical information



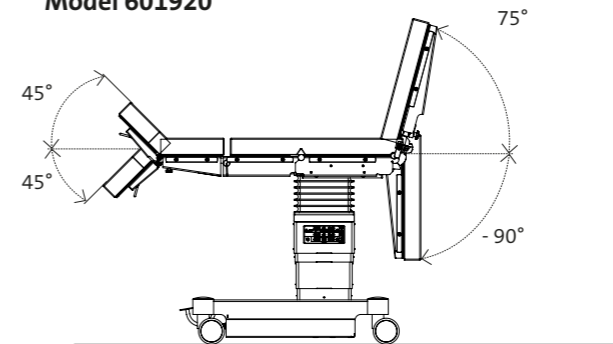
Models 601700 / 601820



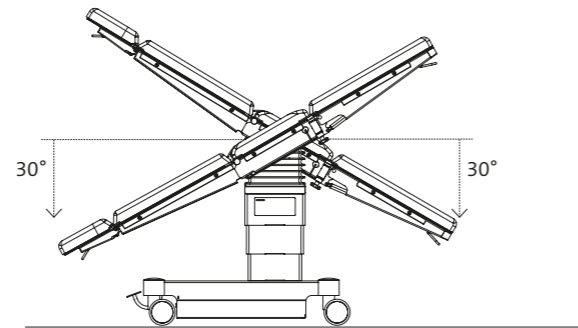
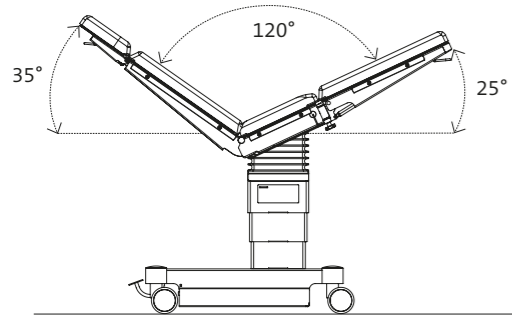
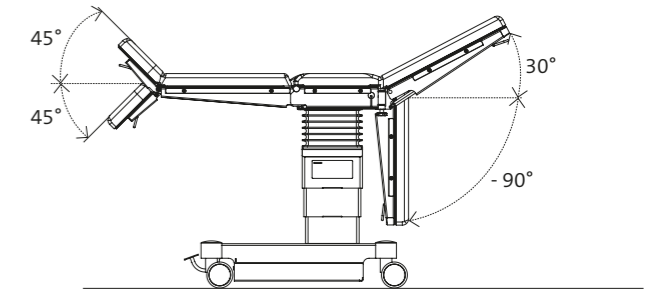
Models 601700 / 601820



Model 601920

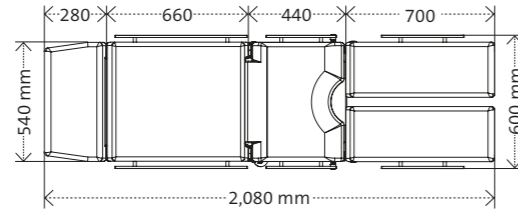


Models 601120, 601700 and 601820

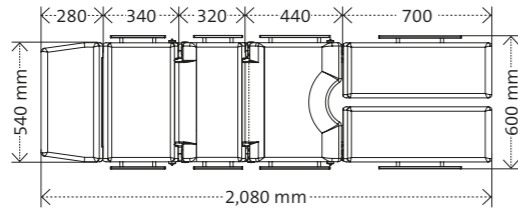


Technical information

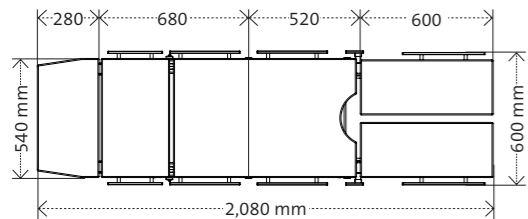
Ground plan 601120



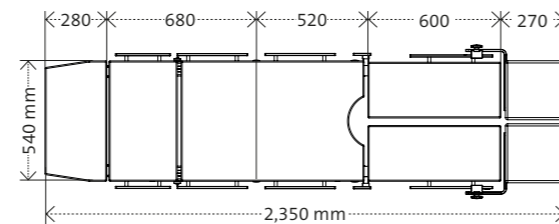
Ground plan 601700 / 601820



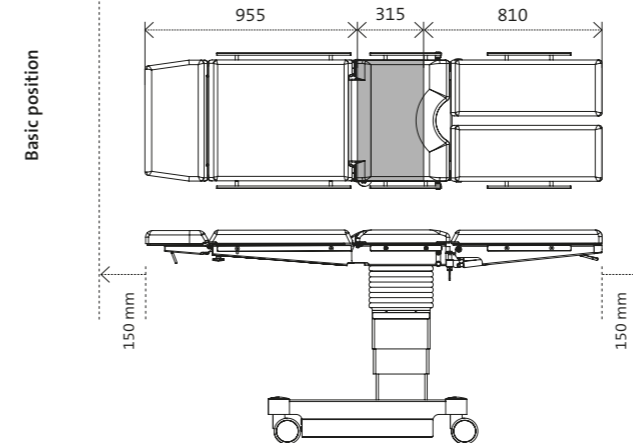
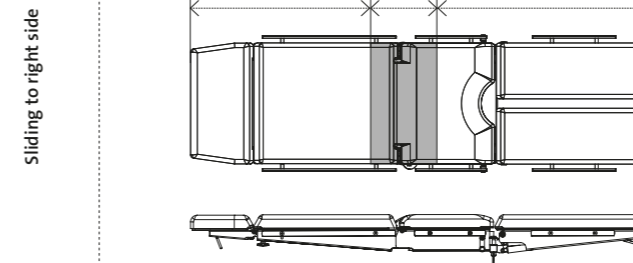
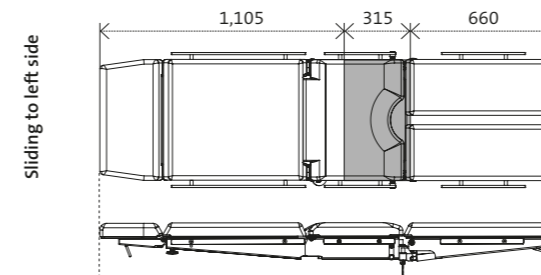
Ground plan 601920



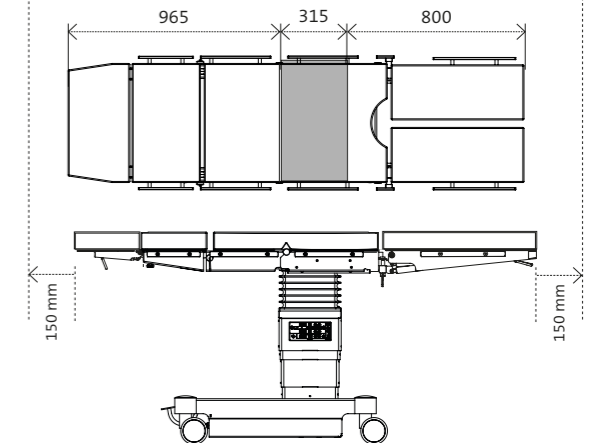
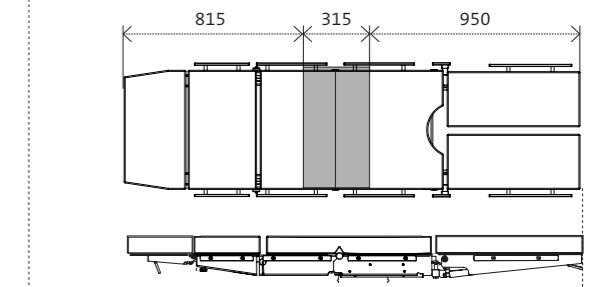
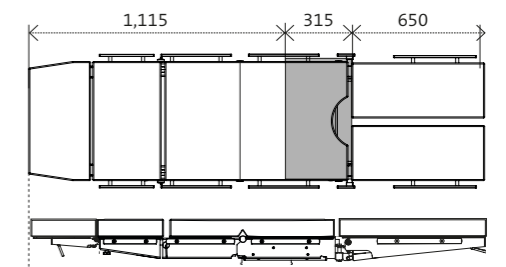
Ground plan 601920 with extension 61631

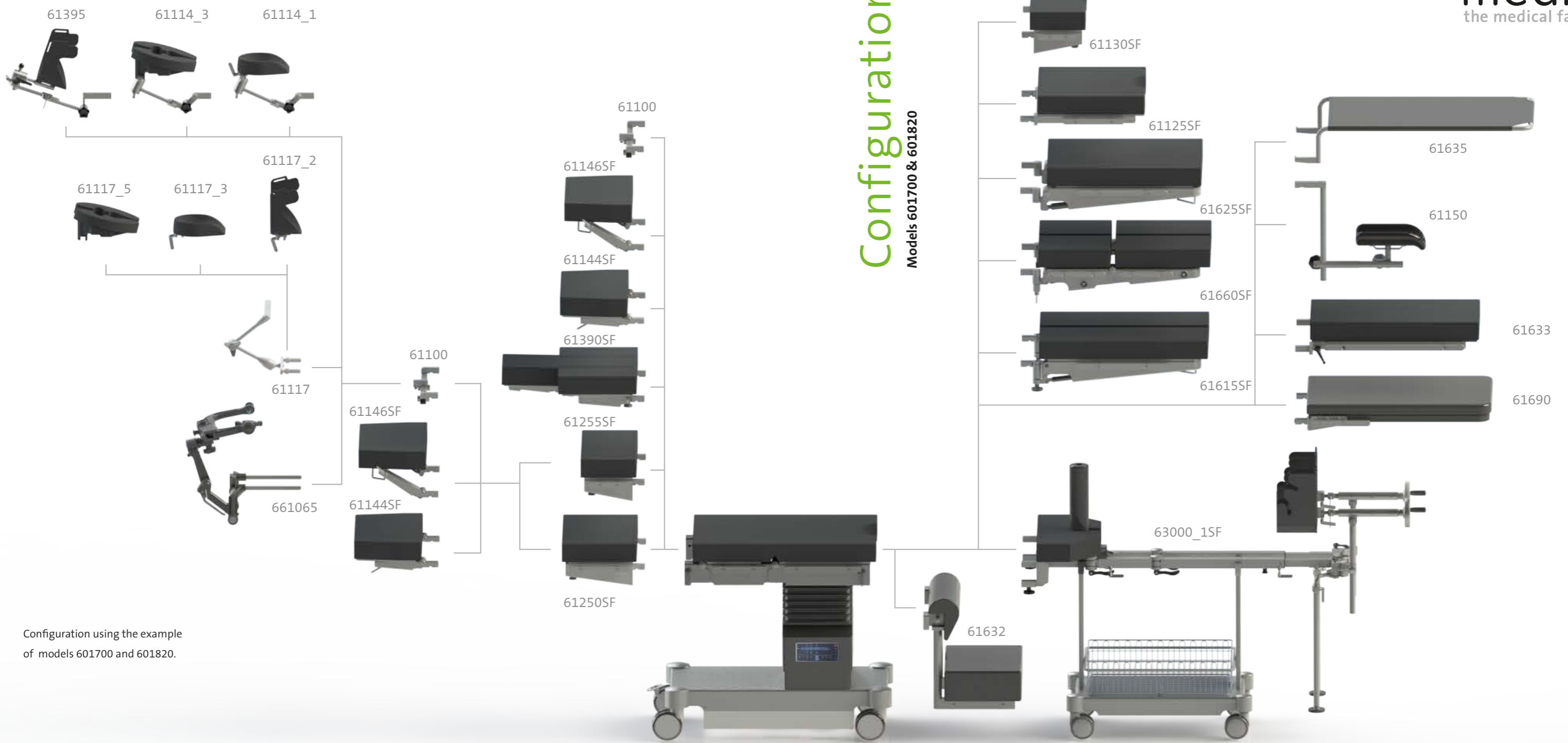


Longitudinal sliding of table top
(model 601120 / 601820)



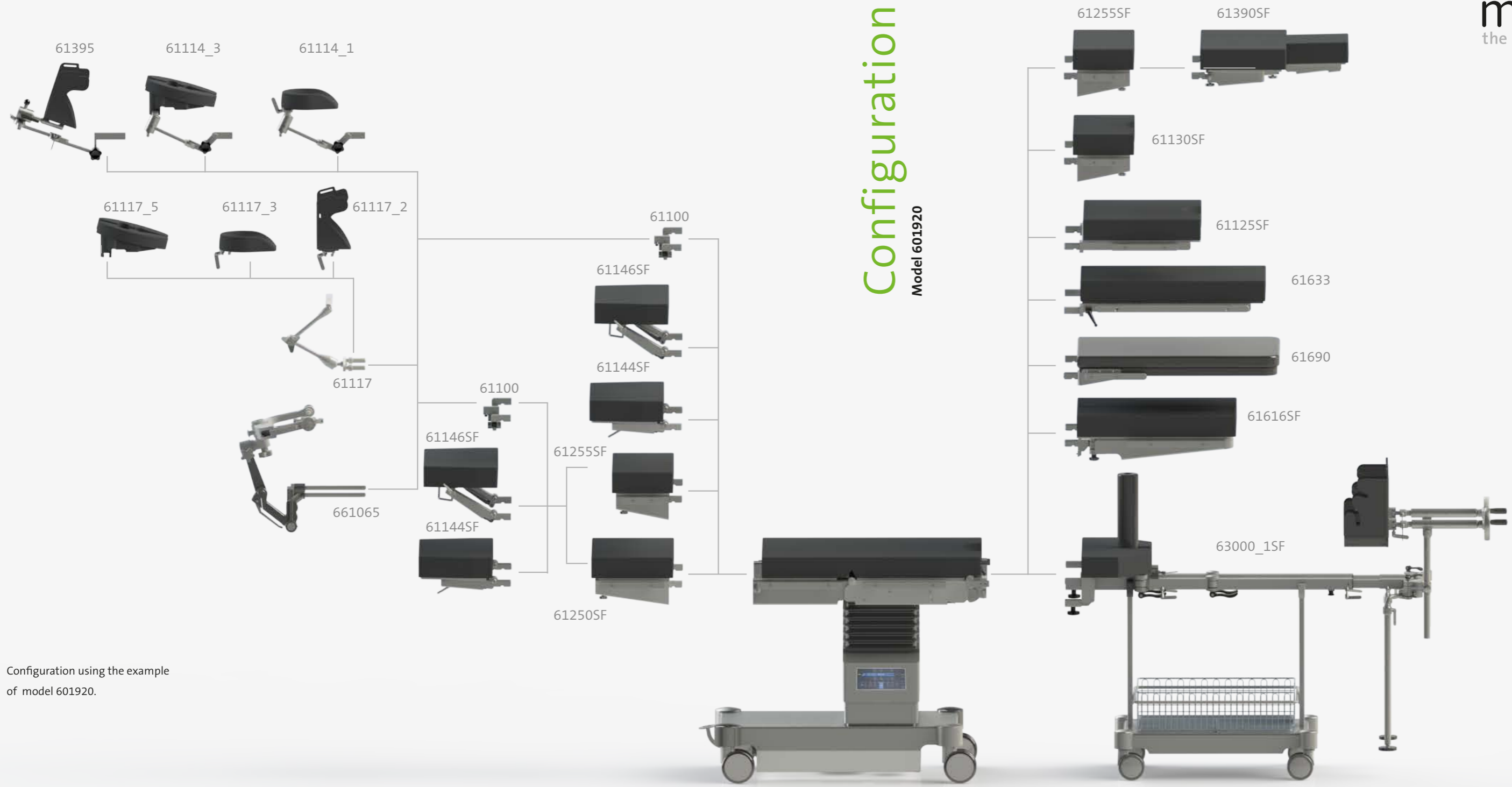
Longitudinal sliding of table top
(model 601920)





Configuration
Models 601700 & 601820

Configuration using the example of models 601700 and 601820.



Configuration
Model 601920

Configuration using the example of model 601920.



Head rest large for medifa 5000 and 6000

Art.-no. 61144SF

- Easy adjustment by means of gas spring from -45° to +45°
- Docking and undocking at back rest
- L x W: 285 x 495 mm
- Upholstery: Viscoelastic SF upholstery, H = 80 mm, radiolucent, electrically conductive, detachable
- Also available with PUR upholstery, H = 60 mm (Art.-no. 61144)



Head rest large with double joint for medifa 5000 and 6000

Art.-no. 61146SF

- Easy adjustment by means of gas spring from -45° to +45°
- Double joint enables additional tilting
- Docking and undocking at back rest
- L x W: 285 x 495 mm
- Upholstery: Viscoelastic SF upholstery, H = 80 mm, radiolucent, electrically conductive, detachable
- Also available with PUR upholstery, H = 60 mm (Art.-no. 61146)



Upper back rest for models 601700, 601820 and 601920 (L= 360 mm)

Art.-no. 61250SF

- Docking and undocking at lower back rest
- Integrated side rails (EU)
- L x W: 360 x 540 mm
- Upholstery: Viscoelastic SF upholstery, H = 80 mm, radiolucent, electrically conductive, detachable
- Also available with PUR upholstery, H = 60 mm (Art.-no. 61250)



Upper back rest for models 601700, 601820 and 601920 (L= 250 mm)

Art.-no. 61255SF

- Docking and undocking at lower back rest
- Integrated side rails (EU)
- L x W: 250 x 540 mm
- Upholstery: Viscoelastic SF upholstery, H = 80 mm, radiolucent, electrically conductive, detachable



Kidney bridge for medifa 5000 and model 601120

Art.-no. 61655SF

- Manually adjustable by hand crank
- Upholstery: Viscoelastic SF upholstery, H = 80 mm, radiolucent, electrically conductive, detachable
- Also available with PUR upholstery, H = 60 mm (Art.-no. 61655)
- Cannot be retrofitted!



Tripartite back rest for medifa 5000 and model 601120

Art.-no. 61385SF

- Incl. head rest
- Easy access to shoulder area by means of three detachable segments
- Docking and undocking at pelvis section (Reverse-Mode)
- Easy adjustment by means of gas spring
- L x W: each segment 315 x 170 mm
- Upholstery: Viscoelastic SF upholstery, H = 80 mm, radiolucent, electrically conductive, detachable
- Also available with PUR upholstery, H = 60 mm (Art.-no. 61385)



Tripartite back rest for models 601700, 601820 and 601920

Art.-no. 61390SF

- Incl. head rest
- Easy access to shoulder area by means of three detachable segments
- Docking and undocking at lower back rest
- L x W: each segment 315 x 170 mm
- Upholstery: Viscoelastic SF upholstery, H = 80 mm, radiolucent, electrically conductive, detachable
- Also available with PUR upholstery, H = 60 mm (Art.-no. 61390)



Pelvis section extension for medifa 5000 and 6000 (L= 430 mm)

Art.-no. 61125SF

- Extension of pelvis section by 430 mm
- With cut-out
- Integrated side rails (EU)
- L x W: 430 x 540 mm
- Upholstery: Viscoelastic SF upholstery, H = 80 mm, radiolucent, electrically conductive, detachable
- Also available with PUR upholstery, H = 60 mm (Art.-no. 61125)



Pelvis section extension for medifa 5000 and 6000 (L= 250 mm)

Art.-no. 61130SF

- Extension of pelvis section by 250 mm
- With cut-out
- Integrated side rails (EU)
- L x W: 250 x 540 mm
- Upholstery: Viscoelastic SF upholstery, H = 80 mm, radiolucent, electrically conductive, detachable



Leg rest for medifa 5000 and models 601120, 601700, 601820

Art.-no. 61625SF

- Adjustment by means of gas spring from -90° up to +30°
- Docking and undocking at pelvis section
- Integrated side rails (EU)
- L x W: 670 x 540 mm
- Upholstery: Viscoelastic SF upholstery, H = 80 mm, radiolucent, electrically conductive, detachable
- Also available with PUR upholstery, H = 60 mm (Art.-no. 61625)



Divided leg rest for medifa 5000 and models 601120, 601700, 601820

Art.-no. 61615SF

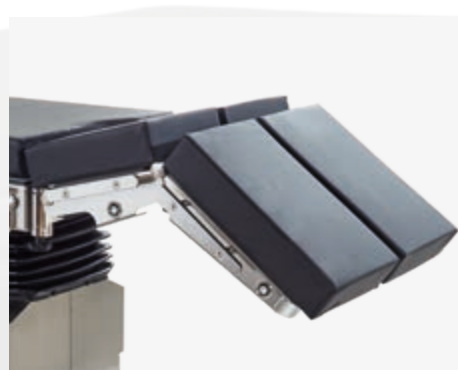
- Adjustment by means of gas spring from -90° up to +30°, swivelling up to 180°
- Docking and undocking at pelvis section
- Integrated side rails (EU)
- L x W: each 730 x 250 mm
- Upholstery: Viscoelastic SF upholstery, H = 80 mm, radiolucent, electrically conductive, detachable
- Also available with PUR upholstery, H = 60 mm (Art.-no. 61615)



Divided leg rest for model 601920

Art.-no. 61616SF

- Electro-hydraulic adjustment from -90° up to +75°, swivelling up to 180°
- Docking and undocking at pelvis section
- Integrated side rails (EU)
- L x W: each 610 x 250 mm
- Upholstery: Viscoelastic SF upholstery, H = 80 mm, radiolucent, electrically conductive, detachable



Double divided leg rest for medifa 5000 and models 601120, 601700, 601820

Art.-no. 61660SF

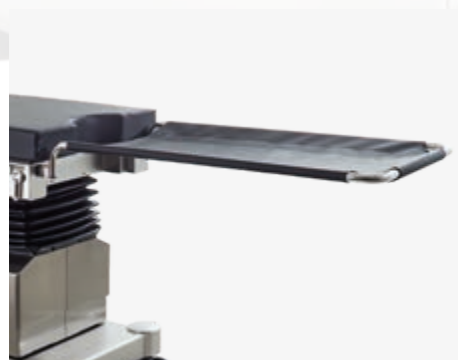
- Adjustment by means of gas spring from +30° up to -90°, swivelling up to 180°, bendable
- Docking and undocking at pelvis section
- Integrated side rails (EU)
- L x W: each 720 x 250 mm
- Upholstery: Viscoelastic SF upholstery, H = 80 mm, radiolucent, electrically conductive, detachable
- Also available with PUR upholstery, H = 60 mm (Art.-no. 61660)



Carbon positioning rest for medifa 5000 and 6000

Art.-no. 61690

- Incl. upholstery
- For intraoperative x-ray, optimal radiolucency (360°)
- Docking and undocking at pelvis section or lower back rest
- L x W: 750 x 540 mm
- Upholstery: SF, H = 45 mm, radiolucent, electrically conductive



Transfer leg rest for medifa 5000 and 6000

Art.-no. 61635

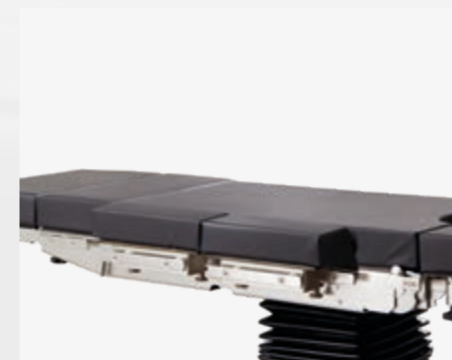
- For short-time positioning of legs
- Docking and undocking at pelvis section
- L x W: 900 x 500 mm



Paediatric surgery rest for medifa 5000 and 6000

Art.-no. 61633

- Docking and undocking at pelvis section
- Integrated side rails (EU)
- L x W: 700 x 430 mm
- Upholstery: Viscoelastic foam, H = 60 mm, electrically conductive



Extension segments medifa 5000, 6000 and 7000

Art.-no. 61355SF

- Segments for extension of operating table's lying surface
- Integrated side rails (EU)
- L x W: each segment 310 x 105 mm
- Upholstery: Viscoelastic SF upholstery, H = 70 mm, radiolucent, electrically conductive, detachable
- Also available with PUR upholstery, H = 60 mm (Art.-no. 61355)
- Pair



Foot switch for medifa 5000 and 6000

Art.-no. 604060

- Additional control unit to adjust the main functions height, lateral and Trendelenburg movement
- Tethered
- Cannot be retrofitted!



Infrared remote control for medifa 5000 and 6000
Art.-no. 604070

- Wireless data transfer
- Control panel for all electric functions of operating table
- Incl. charging station
- Cannot be retrofitted!



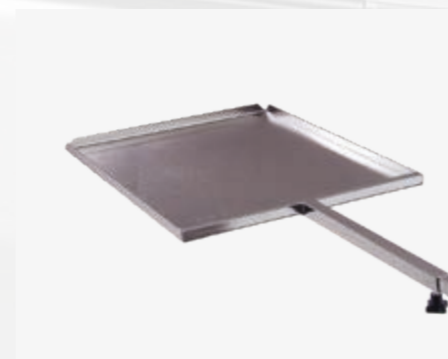
Connecting bar for medifa 5000 and 6000
Art.-no. 61670

- Exchange of stainless steel connecting bar at back rest with a radiolucent connecting bar made of special plastic
- Improves radiolucency of back rest



Manual back-up system for medifa 6000
Art.-no. 50655

- Secures the functionality of operating table in case of an electronic defect or breakdown of power supply
- Override of electronic functions by means of manual foot pedal
- Cannot be retrofitted!



Radiographic cassette carrier for medifa 5000 and 6000
Art.-no. 61640

- To insert radiographic cassettes under table top of operating table
- With telescopic rod
- L x W x H: 470 x 385 x 16 mm
- Suitable for radiographic cassettes with dimensions 14" x 17" (US)
- Material: Stainless steel



Stabilization cylinder for medifa 6000
Art.-no. 50650

- Extendible
- For optimal stability of operating table
- Cannot be retrofitted!



Rinsing set for medifa 5000 and 6000
Art.-no. 61120

- Incl. bucket, basin, strainer, tube, undercarriage and fixation
- Docking and undocking at pelvis section
- L x W x H (Basin): 325 x 265 x 65 mm
- Volume (Bucket): 15 litre
- Material: Stainless steel

Additional accessories

A wide range of optional accessories complements the application spectrum of our operating tables.

For central storage of accessories we offer a trolley (art.-no. 341045) made of polished stainless steel.

Further accessories can be found in our brochure "Accessories for operating tables".



medifa

The medifa healthcare group unites competence concerning operating rooms under one roof.

medifa is an owner-run and internationally active complete solution provider in the medical technology.

The product and service portfolio covers all operating room requirements from modular wall, door, ceiling and cabinet systems (RooSy® Room Systems) for the turnkey operating room, as well as mobile operating tables, operating table accessories and operating lights, right up to examination chairs and medical

furniture. In addition, one of the largest German OEM suppliers in the medical technology sector also belongs to medifa.

medifa GmbH & Co. KG (Finnentrop), medifa hygienic rooms GmbH (Ötigheim) and medifa metall und medizintechnik GmbH in Rastatt are all part of this group of companies. The medifa healthcare group employs approximately 350 employees at three locations within Germany. The planning, engineering and production

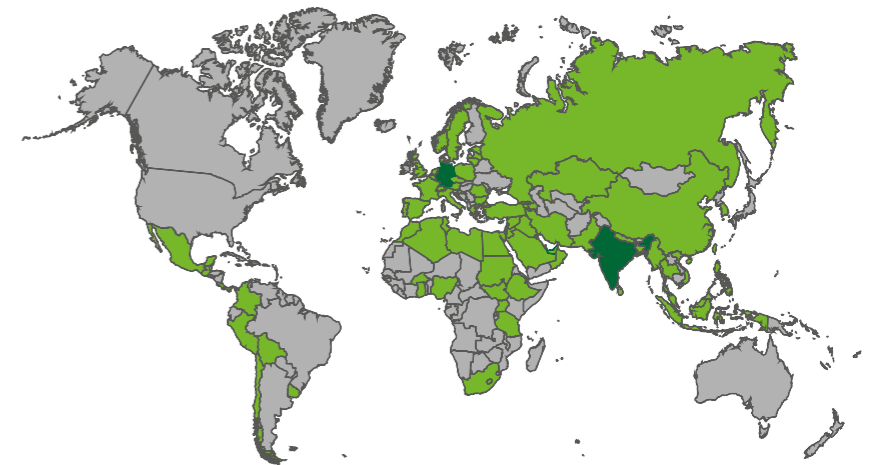
take place exclusively in Germany, and with over 90% added value in the group of companies, the group guarantees fast reaction times.

The slogan "we care" means for us that we consistently orientate ourselves according to the requirements of our customers. Customers all over the world can rely on top-class consultation, processing and quality from a single source, made in Germany according to certified national and international quality standards.

Products

- Modular operating room systems: walls, doors, ceilings and cabinets (RooSy)
- Mobile operating tables and accessories
- Operating lights
- Examination and treatment chairs
- Medical furniture and trolleys
- Customized medical solutions

medifa worldwide



we care.



Version 10-20-EN
Subject to modifications due to technical development.
This document is intended to provide information to an
international audience outside of the US.

www.medifa.com

we care. Code



medifa GmbH & Co. KG

Industriestraße 5
57413 Finnentrop
Germany
fon +49 2721 71 77 -0
fax +49 2721 71 77 -255
info@medifa.com

we care.