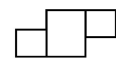




medifa 5000 BASIC

Mobile Basic
Operating Tables



DERMAT
MEDICAL SUPPLIES

016/ 40 05 45
info@dermat.be
www.dermat.be

we care.

medifa 5000 BASIC

- Completely manual or with electromechanical height adjustment
- Ergonomic shaped, detachable upholsteries
- Optimal to clean and disinfect
- Simple manoeuvrability
- Smooth running release mechanisms
- Optimal foot space and high stability by special base construction
- Suitable for various applications and patient positionings
- Suitable for x-ray and c-arm applications
- Maximum permissible overall load up to 150 kg



medifa 5000 BASIC



Mobile Basic Operating Table

Art.-no. 501010

- Height adjustment by foot operated hydraulic pump from 740 up to 990 mm
- Manual, gas spring supported Trendelenburg adjustment from -30° up to +30°
- Manual, gas spring supported lateral tilt up to 20°
- Manual, gas spring supported adjustment of back rest from -40° up to +75°
- Continuous X-ray tunnel from head to foot
- Lateral guide rails for attachment of accessories, stainless steel (25 x 10 mm)
- Mobility by 2 lockable and 2 directional double castors, \varnothing 100 mm
- Adjustment to flex / reflex position
- Maximum permissible overall load up to 150 kg



Further models:

Art.-no. 501020

Same as 501010, however with powered height adjustment from 750 up to 1000 mm



All models of medifa 5000 can be equipped with a wide range of further accessories!

Configuration example

Art.-no. 501010
Manual operating table

Art.-no. 61148
Head rest

Art.-no. 61618
Divided leg rests

Art.-no. 61220
Arm rest

Price on request!

Specialities

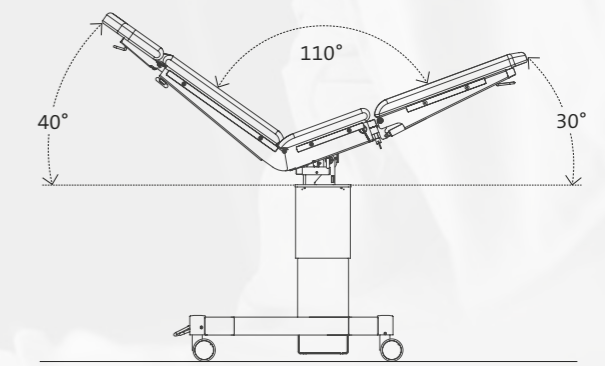
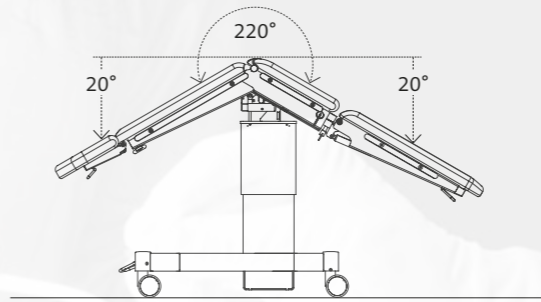
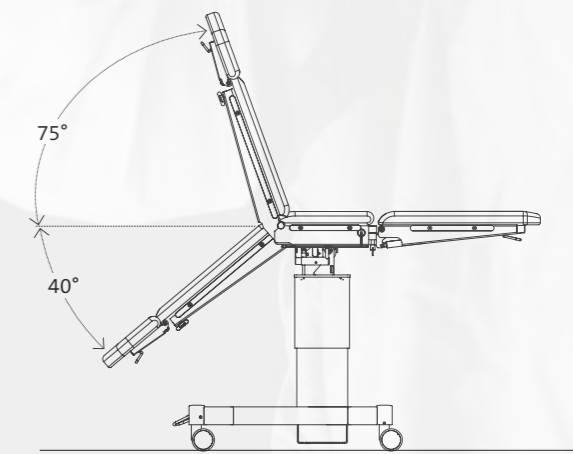
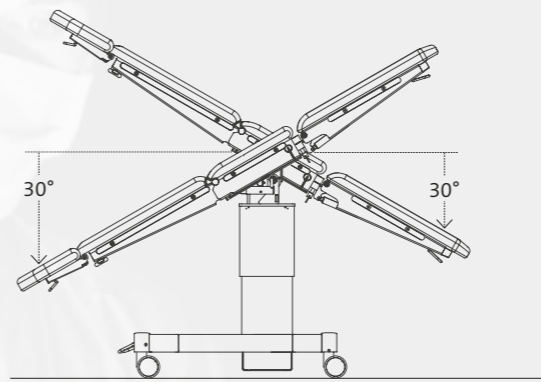
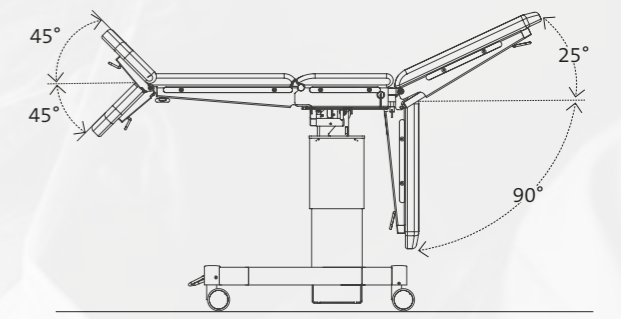
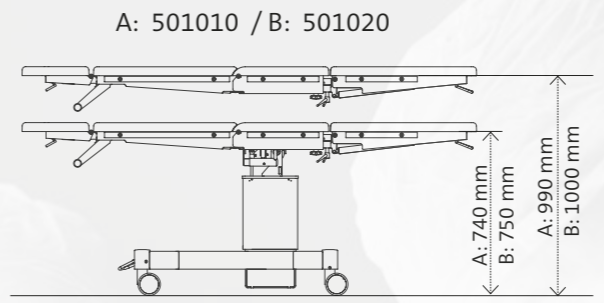
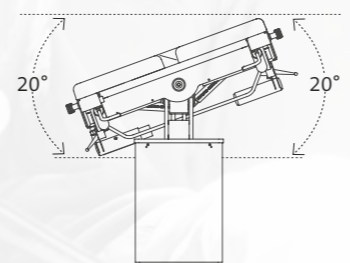
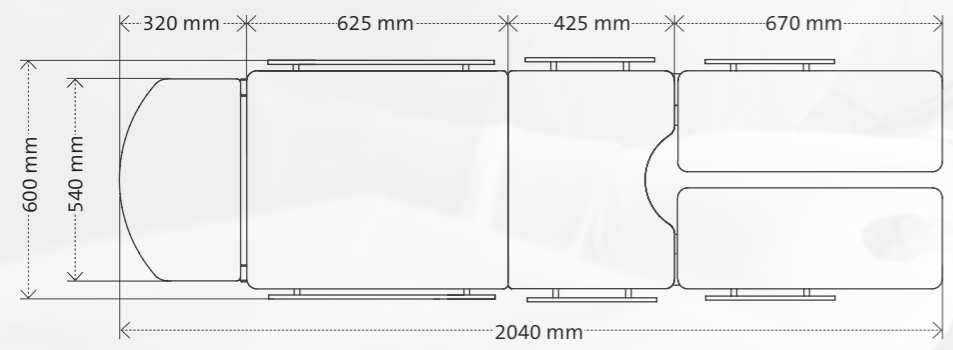
- Day surgery
- Emergency care

Technical information



	Adjusting range	501010	501020
Height adjustment	740 - 990 mm	■	
Height adjustment	750 - 1000 mm		◆
Trendelenburg	-30° / +30°	■	■
Lateral tilt	-20° / +20°	■	■
Back rest adjustment	-40° / +75°	■	■
Flexion movement		■	■
Maximum permissible overall load		150 kg	150 kg

■ Manual ◆ Electromechanical



Field operating table



Emergency patient trolley



Accessories for medifa 5000 BASIC



Head rest for medifa 5000 BASIC

Art.-no. 61148

- Easy adjustment by means of gas spring from -45° up to $+45^{\circ}$
- Docking and undocking at back rest
- Radiolucent
- L x W: 290 x 500 mm
- Upholstery: PUR, H = 40 mm, electrically conductive, detachable



Horseshoe shaped head rest for medifa 5000 BASIC

Art.-no. 61149

- One-piece
- Adjustable by ball joint
- Upholstery: PUR, electrically conductive



Divided leg rest for medifa 5000 BASIC

Art.-no. 61618

- Easy adjustment by means of gas spring from $+25^{\circ}$ up to -90° , swivelling up to 180°
- Docking and undocking at pelvis section
- Radiolucent
- L x W: each 660 x 250 mm
- Upholstery: PUR, H = 40 mm, electrically conductive, detachable
- Pair



Leg rest one-piece for medifa 5000 BASIC

Art.-no. 61628

- Easy adjustment by means of gas spring from $+25^{\circ}$ up to -90°
- Docking and undocking at pelvis section
- Radiolucent
- L x W: 620 x 540 mm
- Upholstery: PUR, H = 40 mm, electrically conductive, detachable



Carrier for transport ventilation

Art.-no. 61091

- For transport ventilation „Oxylog“



Carrier for oxygen bottles

Art.-no. 61090

- For oxygen bottles (2-3 l)

Accessories for medifa 5000 BASIC



Filing basket for medifa 5000 BASIC

Art.-no. 61093

- For attachment at the base of operating table
- Incl. fixation
- Material: Stainless steel



Floor levelling feet for medifa 5000 BASIC

Art.-no. 61094

- Ensures optimal stability of operating table on uneven floors by means of height adjustable levelling feet (4 pieces)
- Cannot be retrofitted!
- Material: Stainless steel



Radiographic cassette carrier for medifa 5000 BASIC

Art.-no. 61645

- To insert radiographic cassettes under table top of operating table
- With telescopic rod
- L x W x H: 485 x 410 x 16 mm
- Suitable for radiographic cassettes with dimensions 14" x 17" (US)
- Material: Stainless steel



Instrument disposal made of stainless steel for medifa 5000 BASIC

Art.-no. 61088

- Swivelling
- L x W x H: 325 x 265 x 65 mm

Bowl made of stainless steel with drainage and tube for medifa 5000 BASIC

Art.-no. 61089

- Swivelling
- L x W x H: 325 x 265 x 65 mm



Transport box for medifa 5000 BASIC

Art.-no. 61095

- For safe transport of operating table
- L x W x H: 1200 x 800 x 952 mm
- Material: Aluminium

Available upon request!

Additional accessories

A wide range of optional accessories complements the application spectrum of our operating tables.

For central storage of accessories we offer a trolley (art.-no. 341045) made of polished stainless steel.

Further accessories can be found in our brochure "Accessories for operating tables".



medifa

The medifa healthcare group unites competence concerning operating rooms under one roof.

medifa is an owner-run and internationally active complete solution provider in the medical technology.

The product and service portfolio covers all operating room requirements from modular wall, door, ceiling and cabinet systems (RooSy® Room Systems) for the turnkey operating room, as well as mobile operating tables, operating table accessories and operating lights, right up to examination chairs and medical

furniture. In addition, one of the largest German OEM suppliers in the medical technology sector also belongs to medifa.

medifa GmbH & Co. KG (Finnentrop), medifa hygienic rooms GmbH (Ötigheim) and medifa metall und medizintechnik GmbH in Rastatt are all part of this group of companies. The medifa healthcare group employs approximately 350 employees at three locations within Germany. The planning, engineering and production

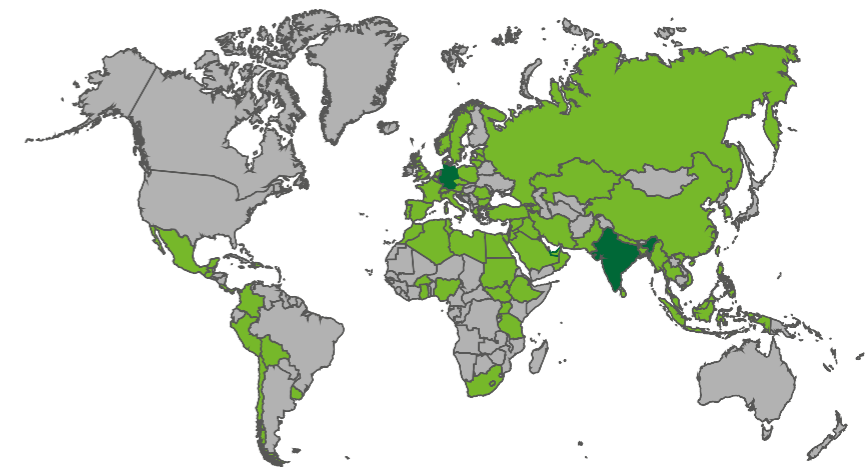
take place exclusively in Germany, and with over 90% added value in the group of companies, the group guarantees fast reaction times.

The slogan "we care" means for us that we consistently orientate ourselves according to the requirements of our customers. Customers all over the world can rely on top-class consultation, processing and quality from a single source, made in Germany according to certified national and international quality standards.

Products

- Modular operating room systems: walls, doors, ceilings and cabinets (RooSy)
- Mobile operating tables and accessories
- Operating lights
- Examination and treatment chairs
- Medical furniture and trolleys
- Customized medical solutions

medifa worldwide



we care.



Version 07-20-EN

Subject to modifications due to technical development.
This document is intended to provide information to an
international audience outside of the US.

www.medifa.com

we care. Code



medifa GmbH & Co. KG

Industriestraße 5
57413 Finnentrop

Germany

fon +49 2721 71 77 -0

fax +49 2721 71 77 -255

info@medifa.com

we care.